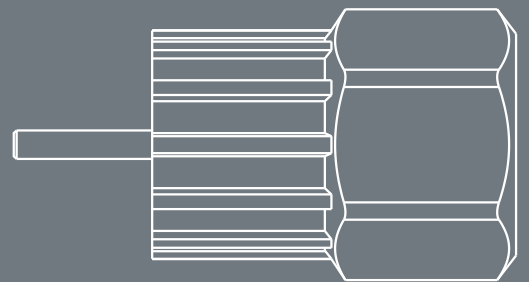
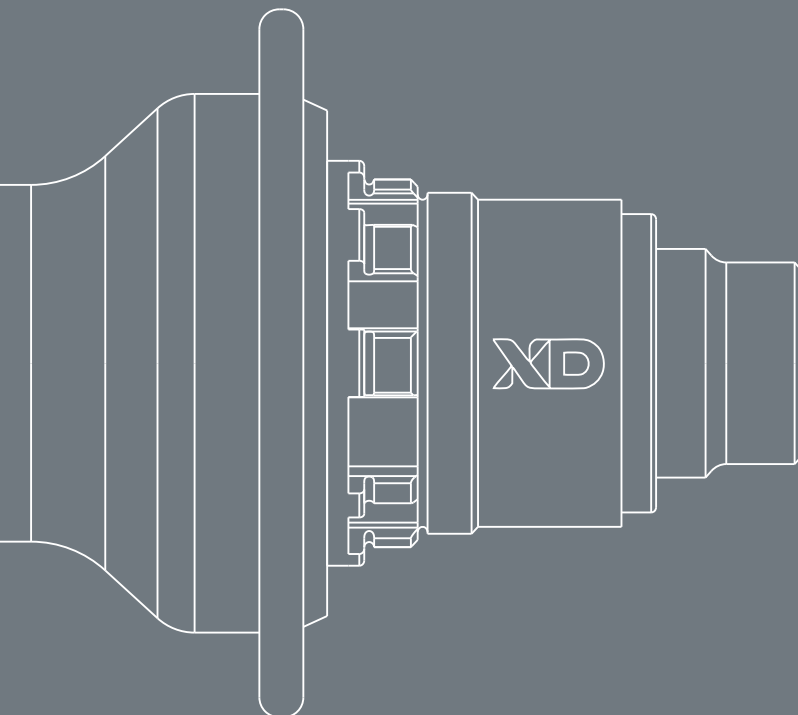
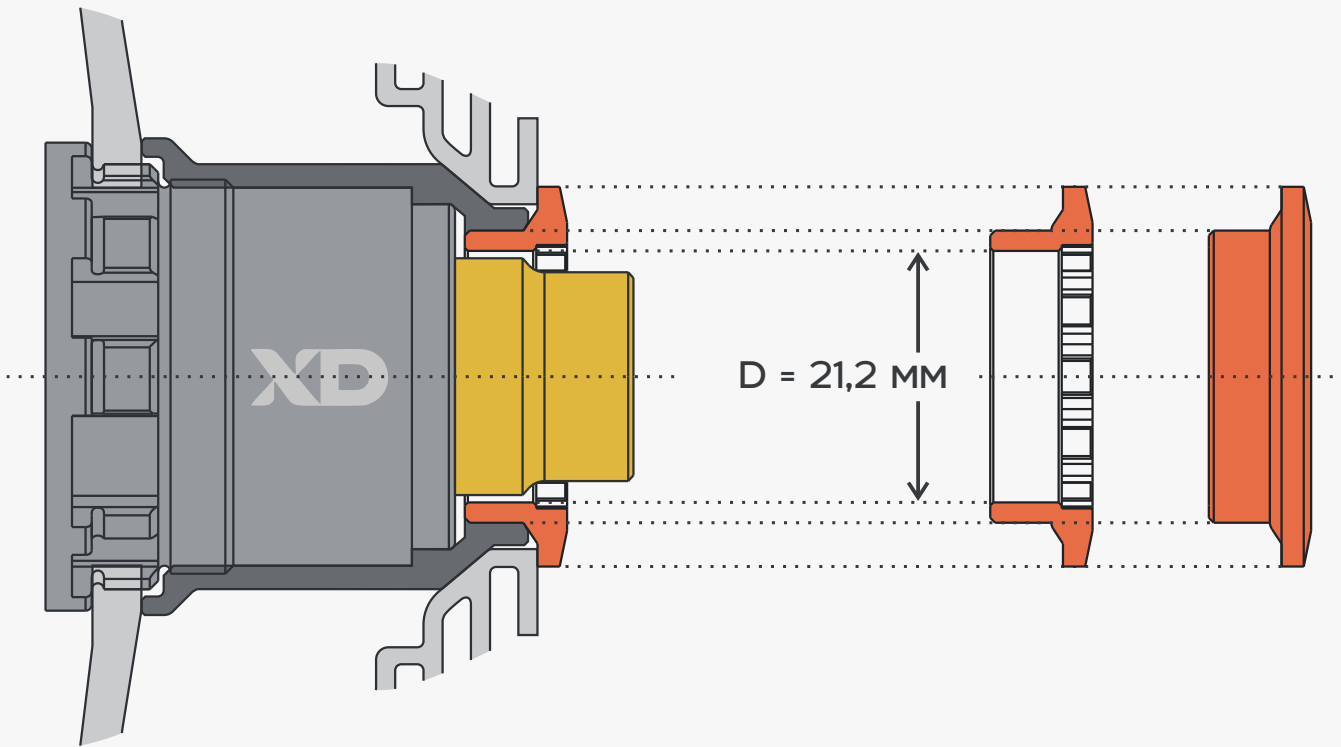


## GARBARUK XD-COMPATIBLE CASSETTE FITTING SPECIFICATION

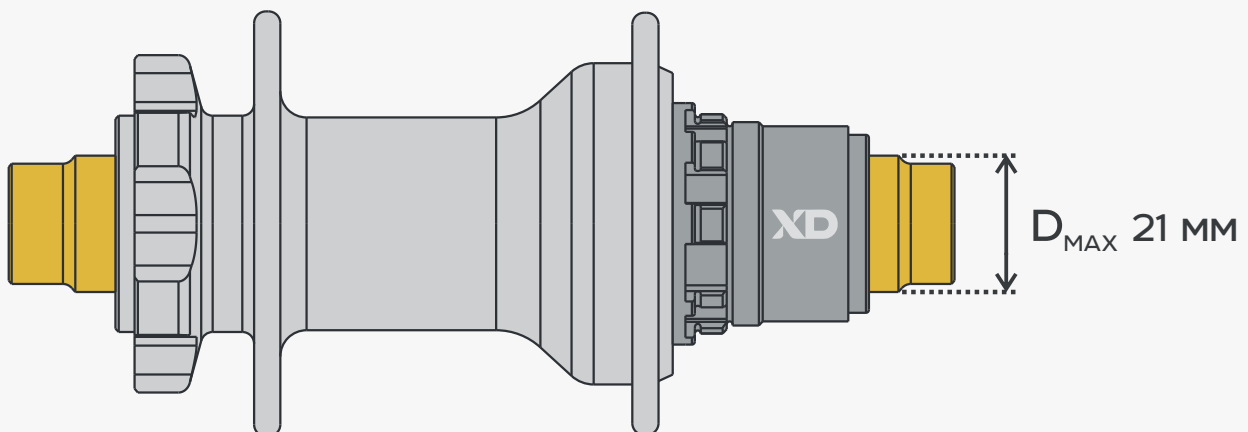


## GARBARUK CASSETTE LOCKRING SIZE



*Inner diameter of Garbaruk XD-compatible cassette's outer lockring is 21.2 mm.*

## REAR HUB END CAPS' SIZING



*Standard end caps' diameter for most rear hubs normally equals 19-20 mm, but not all manufacturers follow these standards.*

*Maximum end cap diameter our cassette can be installed onto equals 21 mm.*