



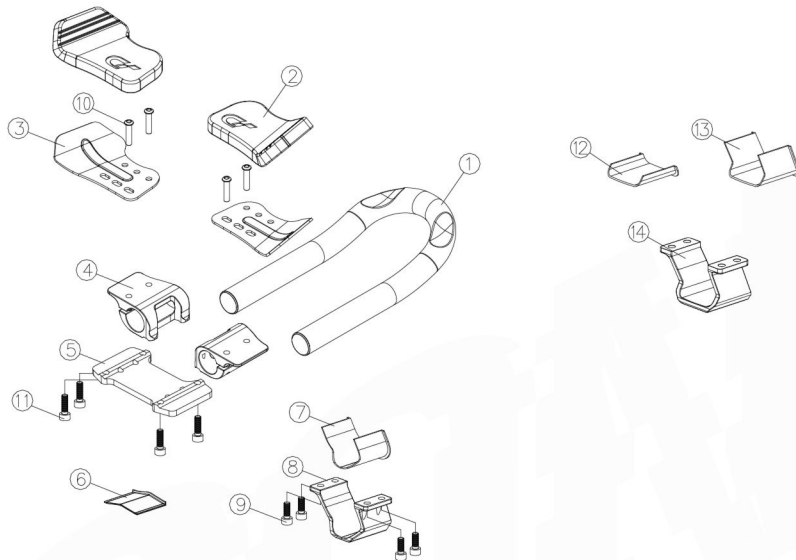
U Bend TT Bar(Stem Mounted) Installation Instructions



Thank you for choosing this Controltech. With proper care and installation, it will give you trouble-free, enjoyable use.

In order to maximize the safe enjoyment of this product, you should read and carefully follow the following installation instructions and warnings. Failure to do so could result in unexpected wear and/or failure, possibly resulting in injury.

Controltech warrants this product to be free from defects in materials and workmanship for a period of two years from the date of purchase when purchased from an authorized Controltech dealer. This warranty is extended only to the original owner of the product and is not transferable. Proof of purchase is required for any warranty service, so be sure to keep your receipt. This warranty does not cover cosmetic or structural damage arising from misuse or abuse, including damage caused by crashes, jumping and landing, front end impact, falls or any other collision, owner neglect of regular maintenance, improper installation of parts and accessories. Controltech makes no warranty if modifications, changes, additions or substitutions are made to any components. Wear from normal use or exposure to environmental elements is not covered by this warranty. Controltech makes no warranty against any incidental or consequential damage to bike or parts, or rider injury caused by defects as covered in this warranty.

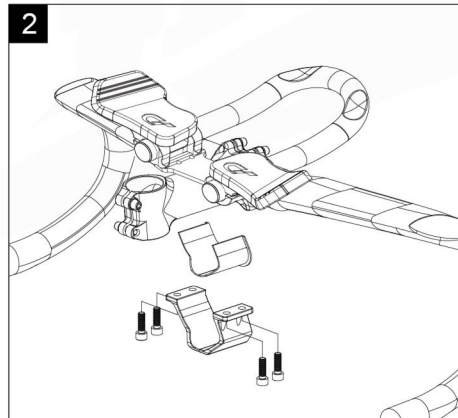
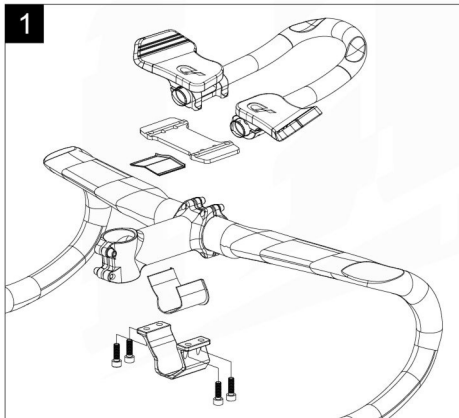


Model name / Model no.

U Bend TT Bar(Stem Mounted) / TTH-14-S

Part

- ① U-Bend extension x1
- ② Elbow pad x2
- ③ Elbow pad cradle x2
- ④ G Clamp x2
- ⑤ Upper clamp x1
- ⑥ Clamp pad Upper x1
- ⑦ Round clamp pad Lower x1
- ⑧ Round Lower clamp x1
- ⑨ M5 bolts for round and square clamp x4(10mm)
- ⑩ M5 bolts for pad cradle x4(25mm)
- ⑪ M5 bolts for upper clamp x4(16mm)
- ⑫ Square clamp pad Short x1
- ⑬ Square clamp pad Tall x1
- ⑭ Lower Square clamp x1



Installation

- Ensure the stem body is round or square type. Part⑦⑧for Round type and Part⑫⑬⑭ for square type.
- Assemble U-Bend extension ① with Elbow pad ②, Elbow pad cradle ③, G Clamp ④, and M5 bolts for pad cradle ⑩ in sequence and tighten 4 M5 bolts (Max torque: 5Nm).
- Assemble Upper clamp ⑤, Clamp pad Upper ⑥, Round clamp pad Lower ⑦, Round Lower clamp ⑧, M5 bolts for round clamp ⑨, M5 bolts for upper clamp ⑪, in sequence and tighten bolts (Max torque: 5Nm)(Stem body is round).
- Assemble Upper clamp ⑤, Clamp pad Upper ⑥, Square clamp pad Tall⑬, Lower Square clamp⑭, M5 bolts for square clamp ⑨, M5 bolts for upper clamp ⑪, in sequence and tighten bolts (Max torque: 5Nm)(Stem body is square).

		Width
⑫		Stem width less 36mm use
⑬		Stem width greater 36mm use

